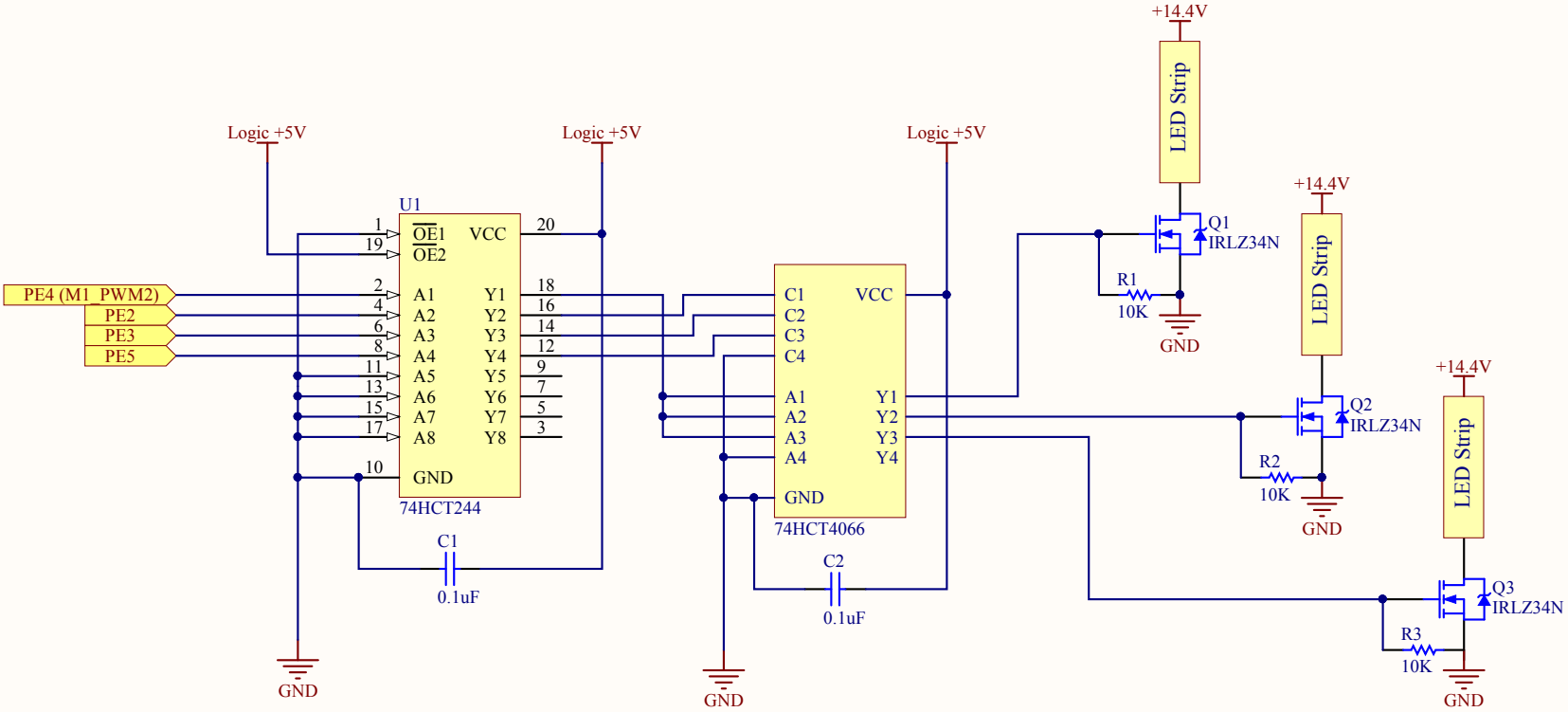


Team LED Display



Title		
Size	Number	Revision
A		
Date:	3/17/2017	Sheet of
File:	U:\ ME218bTeams\...\Team_LED.SchDoc Drawn By:	