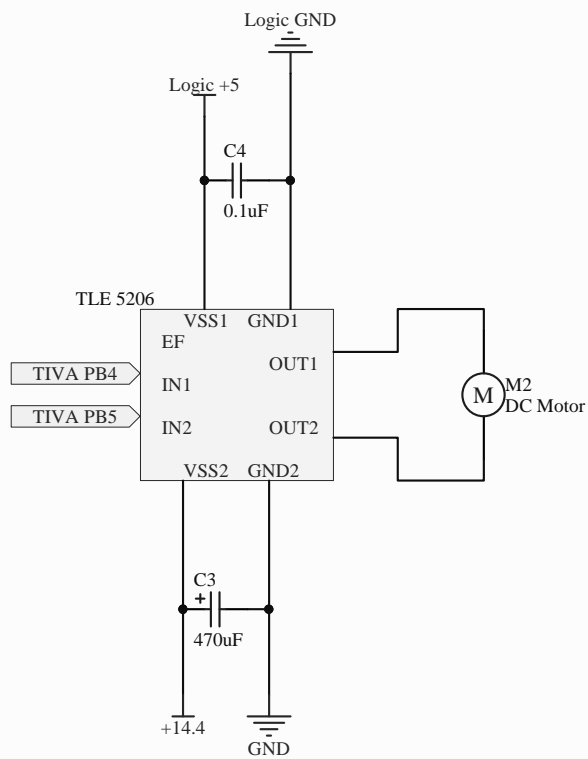
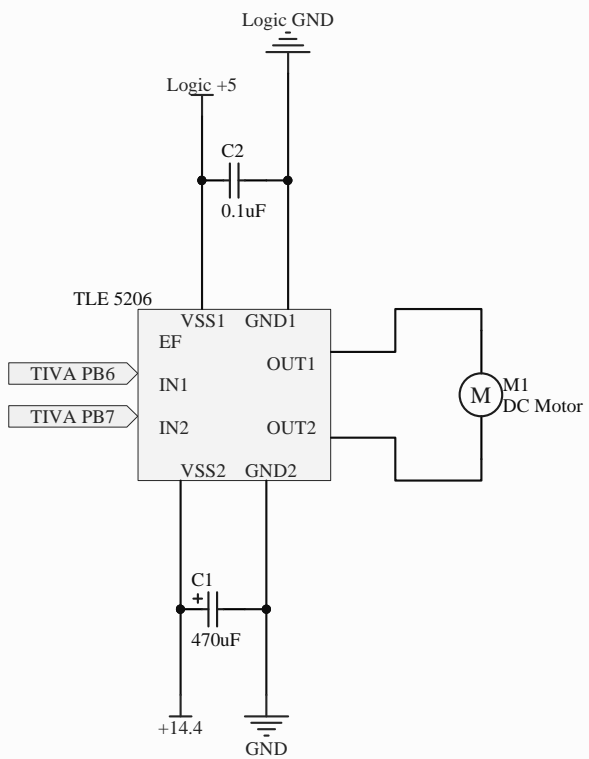


Dual Motor Drive with Encoders



Title		
Motor Drive Circuits		
Size	Number	Revision
A		2
Date:	3/16/2017	Sheet of
File:	U:_ME218bTeams\...\MotorDrive.SchDoc Drawn By:	